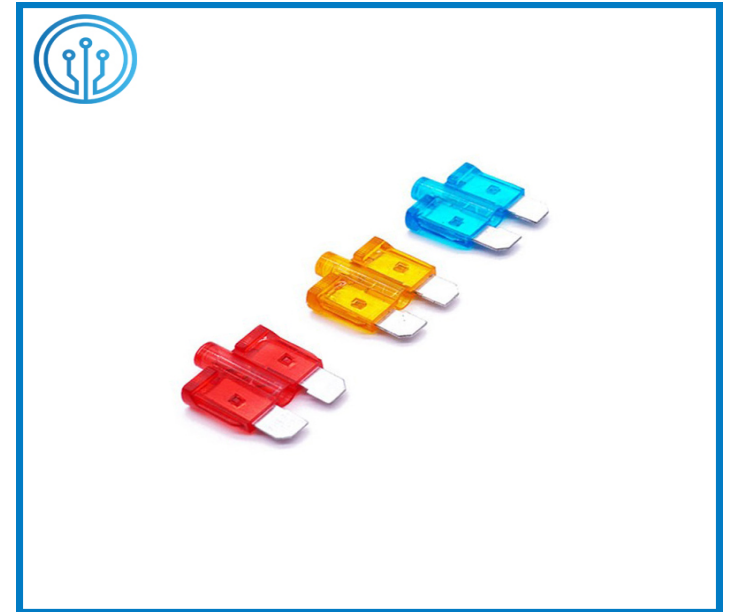
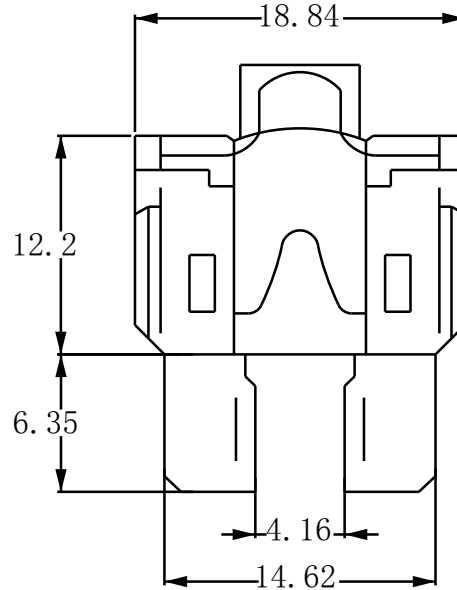
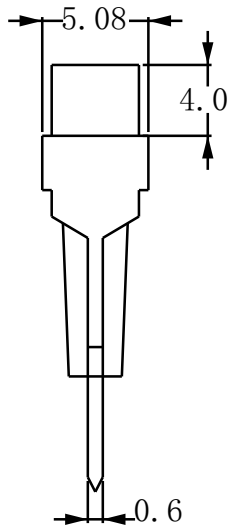


Rated Current(A)	Body Color
1	Black
2	Gray
3	Violet
4	Pink
5	Tan
7.5	Brown
10	Rad
15	Blue
20	Yellow
25	Clear
30	Green
35	Purple
40	Orange



% of Rated Current	Operating Time
110%	>100h
135%	0.75~1800s
200%	0.15~5s
350%	0.04~0.5s
600%	0.02~0.2s

DONGGUAN AMPFORT ELECTRONICS CO., LTD.			
CUSTOMER NO.		DRAWN BR.	
CHECKED BY.		APPROVED BY.	
PART NO.	ATU	DRAWING NO.	
SCALE.		DATE.	2020/6/9
TOLERANCE.		TITLE.	
DECIMALS	ANGULAR	UNLESS OTHERWISE SPECIFIED DIMENSIONS ARE IN MM DO NOT SCALE DRAWING	